



力宇动力
LIYU POWER

Shaping the Future of Green Energy

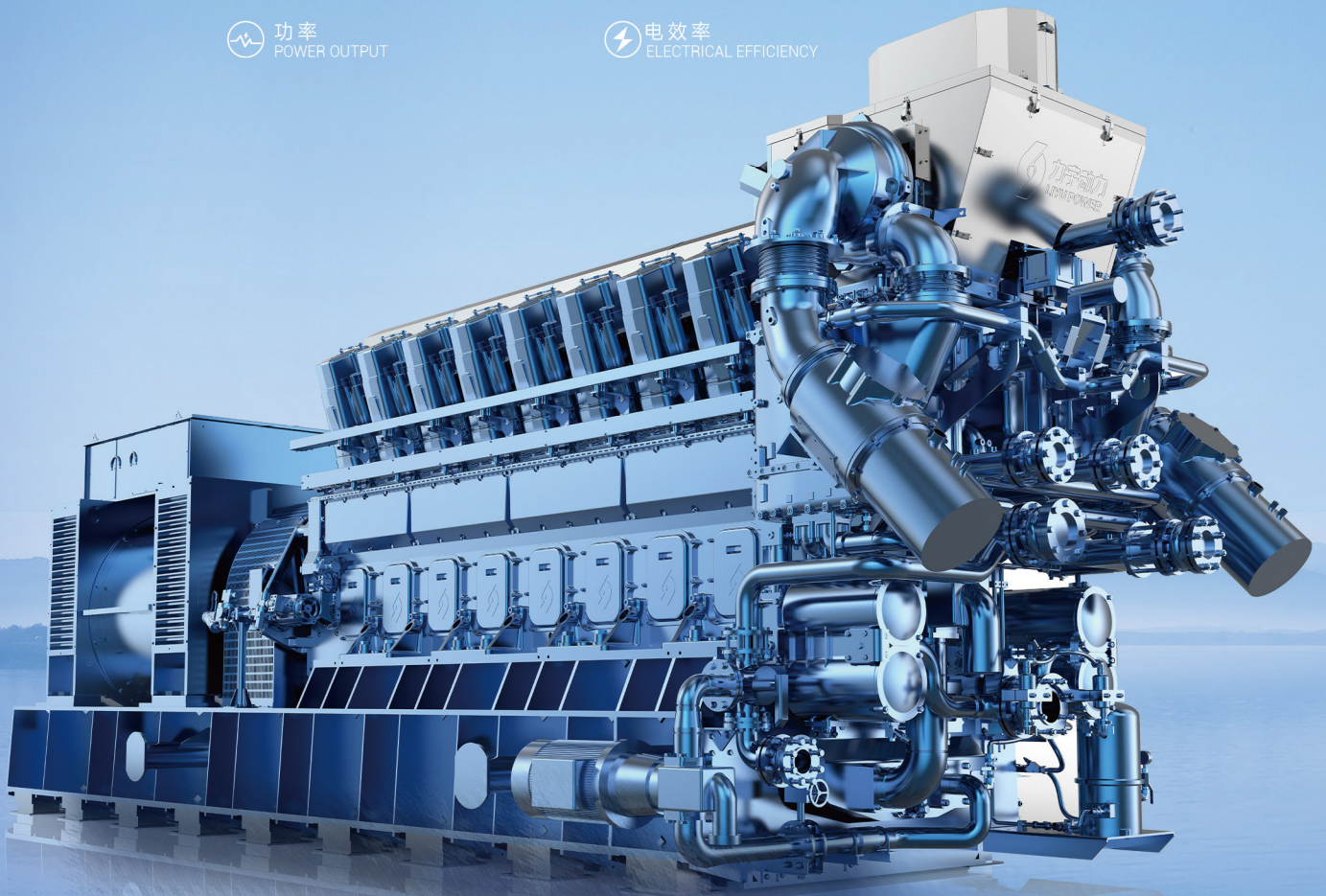
力宇动力 蕴绿非凡

LY260 V16

2500 -4000 kW | up to 42%

 功率
POWER OUTPUT

 电效率
ELECTRICAL EFFICIENCY



LY260系列 LY260 Series

极致能效 智能可靠 卓越适应

Ultimate Energy Efficiency Smart and Reliable Exceptional Adaptability



最高效率 Maximum efficiency

LY260在力宇产品系列中：功率最大，最高单机功率可达4000kW；性能最强，最高电效率可达42%。

Within the Liyu product line, the LY260 has the highest power output, with a maximum single-unit power of up to 4,000 kW; offers the best performance, with a maximum electrical efficiency of up to 42%.



更高灵活性 Greater flexibility

创新的燃气混合技术，造就卓越燃料适应性的同时使排放更低， $\text{Nox} \leq 500 \text{mg} / \text{Nm}^3$ ($2 \text{g} / \text{kW} \cdot \text{h}$)；根据客户需求，既可满足电力生产，又可实现热电联产应用；大规模电力项目可根据气源产量灵活调整负荷，保证稳定、高效运行。

Innovative gas mixing technology delivers exceptional fuel adaptability while reducing emissions, nitrogen oxides (NO_x) $\leq 500 \text{mg} / \text{Nm}^3$ ($2 \text{g} / \text{kW} \cdot \text{h}$). Depending on customer requirements, the system can be configured for either power generation or combined heat and power (CHP) applications. For large-scale power projects, the load can be flexibly adjusted based on gas supply, ensuring stable and efficient operation.



运营成本大幅度降低 Operating costs have been significantly reduced

通过简单高效的维护操作及维护优化计划，有效降低运营成本20%；智能化控制全面检测与诊断，自主调整其运行环境与状态，保持设备的更优性能，实现系统设备高效、安全、稳定运行，润滑油消耗 $\leq 0.3 \text{g} / \text{kW} \cdot \text{h}$ ，运维成本显著优化。

Through simple and efficient maintenance procedures and optimized maintenance plans, operating costs have been effectively reduced by 20%. Intelligent control systems perform comprehensive monitoring and diagnostics, automatically adjusting the operating environment and status to maintain optimal equipment performance, ensuring efficient, safe, and stable system operation. Lubricant consumption is $\leq 0.3 \text{g} / \text{kW} \cdot \text{h}$, resulting in significantly optimized O&M costs.



更高可靠性与耐久性 Greater reliability and durability

采用V型深龙门式、隧道式机体、四气门分层冷却缸盖结构设计，构造紧密，增强了整机的刚度和强度，提高了设备的工作的可靠性与耐久性。

年运行小时高达8000小时，机组大修周期64000小时（天然气），机组大修周期48000小时（其他气体）。

Featuring a V-type deep-cradle, tunnel-style frame and a four-valve, multi-layer cooled cylinder head design, the compact construction enhances the overall rigidity and strength of the unit, thereby improving operational reliability and durability.

Annual operating hours reach up to 8,000 hours, with a major overhaul interval of 64,000 hours (natural gas) and 48,000 hours (other gases).



结构紧凑 Compact design

模块化设计让安装简便快捷，可降低安装成本约15%；
结构紧凑使空间利用率更高，有效降低空间投资成本约20%。

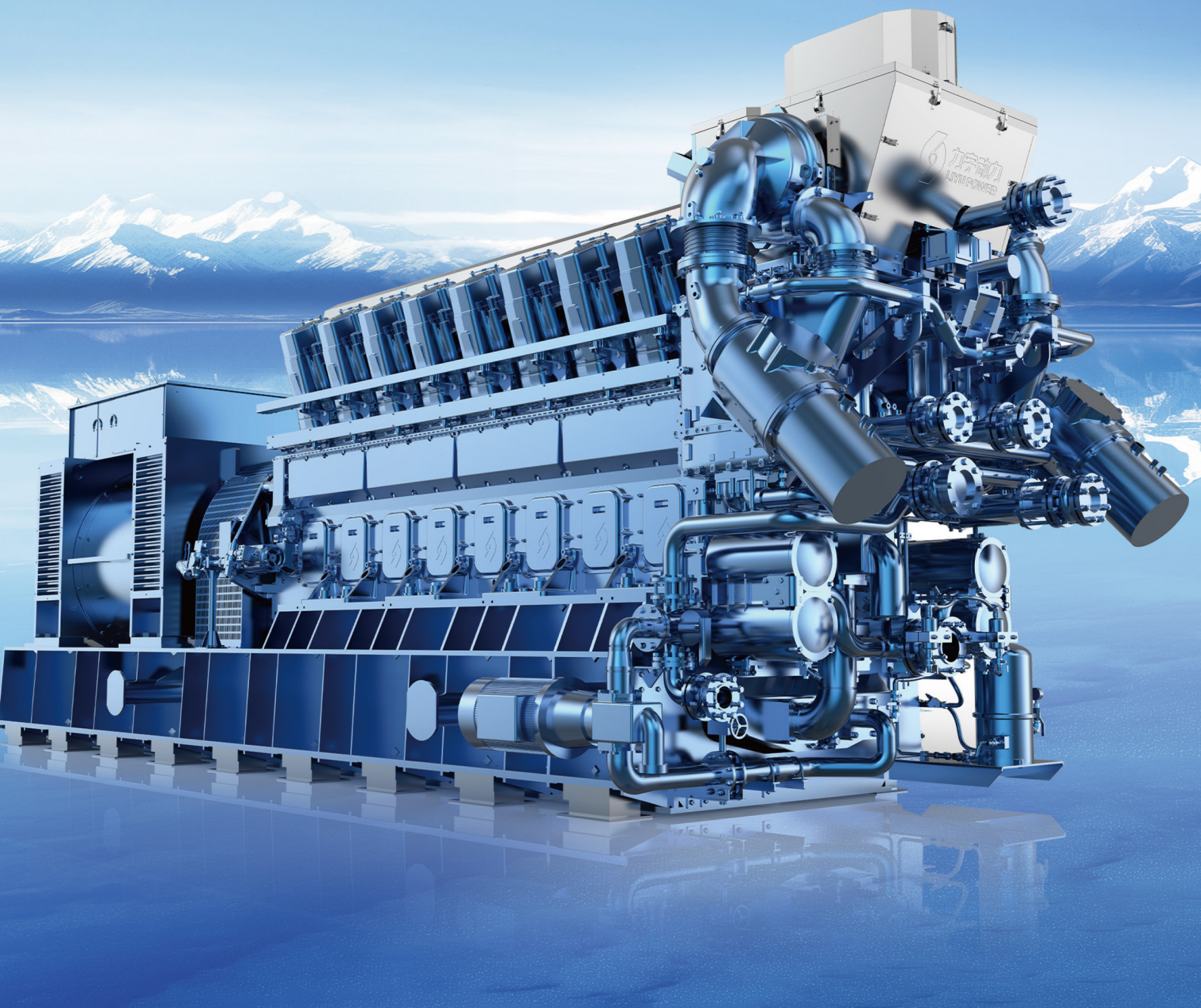
The modular design makes installation quick and easy, reducing installation costs by approximately 15%; The compact structure maximizes space utilization, effectively reducing space-related investment costs by approximately 20%.

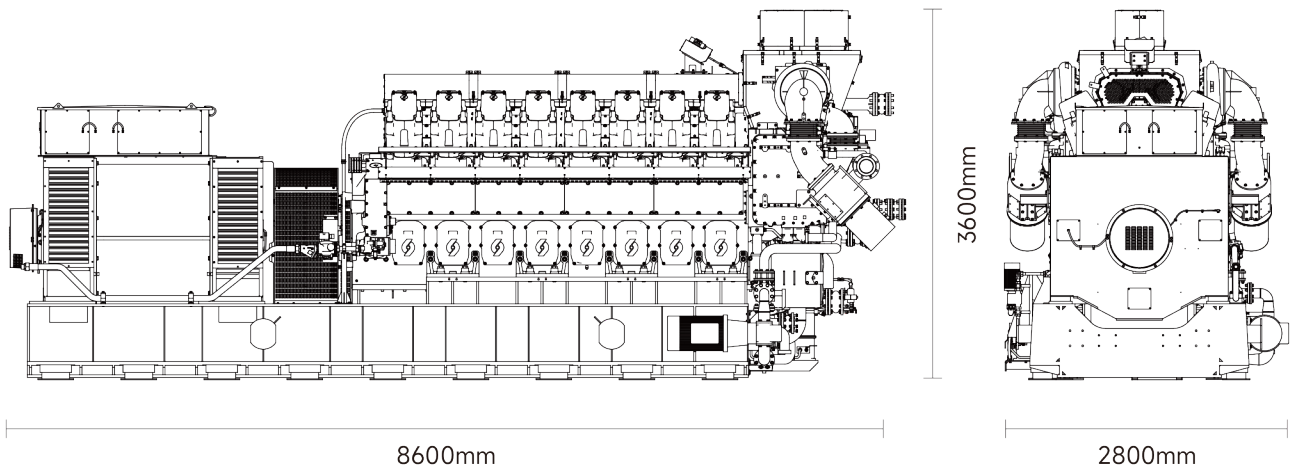


应用广泛 Widely applicable

适配天然气、石油伴生气、生物质气、沼气、瓦斯气、工业煤气、高炉煤气、转炉煤气、煤制气等多种燃气类型，场景覆盖更加全面

Liyu gas generator sets are highly versatile, suitable for a wide range of applications, including natural gas, associated petroleum gas, biomass gas, biogas, coalbed methane, industrial gas, blast furnace gas, converter gas, coal-to-gas and other specialized power generation sources.





LY2616·技术参数 Technical Parameters

发动机组型号 Genset Model		单位 Unit	LY2616
缸数	Cylinders	qty	16
缸径/行程	Bore / Stroke	mm	260/320
排量	Displacement	dm ³	271.8
转速	Rotating Speed	rpm	1000(50Hz) / 900(60Hz)
平均活塞速度	Mean Piston Speed	m/s	10.67
长度 ¹⁾	Length	mm	8600
宽度 ¹⁾	Width	mm	2800
高度 ¹⁾	Height	mm	3600
发电机组净重	Dry Weight Genset	t	47.0
润滑油平均消耗	Lube Oil Consumption	g/kW·h	≤0.3

注：1、对于特殊气体应用，请另行咨询；本数据资料仅供参考，不作为有约束力的数值。

For special gas applications, please consult our staff. The data herein are for reference only and not as binding value.

1) 发电机组交通运输尺寸，单独设置的部件必须单独考虑

1) For the transportation size of genset, the components set separately must be considered separately

2) NO_x排放：NO_x≤500mg NO_x/Nm³干燥排气在5% O₂中的含量

2) NO_x emission: NO_x≤500mg/Nm³ NO_x/Nm³(Content of dry exhaust gas in 5% O₂)

3) 参照ISO8525-1, 50Hz发电机U=10kV, Cosphi=1.0,天然气甲烷值最小为MN70

3) Refers to ISO8525-1, 50Hz Generator U=10kV, Cosphi=1.0, the minimum methane number of natural gas is MN70

4) 参照ISO3046/1, 50Hz发电机U=10kV, Cosphi=1.0,天然气甲烷值最小为MN70

4) Refers to ISO3046/1, 50Hz Generator U=10kV, Cosphi=1.0, the minimum methane number of natural gas is MN70

· LY2616-50Hz技术参数 50 Hz Technical Parameters

$\text{No}_x \leq 500 \text{mg/Nm}^3$ 2)

应用领域 Application area	单位	天然气应用 50Hz Natural gas application	石油伴生气应用 50Hz Associated petroleum gas application	高浓瓦斯应用 50Hz High-concentration CBM application	沼气应用 50Hz Biogas application	工业煤气应用 50Hz Industrial Gas Application	高炉煤气应用 50Hz Blast Furnace Gas Application	煤制气应用 50Hz Coal-to-gas Application
发电机组型号 Genset Model		LY2616GH-T	LY2616GH-T1	LY2616GH-W	LY2616GH-Z	LY2616GH-M	LY2616GH-G	LY2616GH-M1
3) 发电功率 ±10% Electrical Power	kW	4000	3000	3800	3500	2800	2700	2800
4) 燃料消耗 Fuel Consumption	kW	9524	7792	9268	8750	7368	7479	7821
发电效率 Electrical Efficiency	%	42.0	38.5	41.0	40.0	38.0	36.1	35.8
热效率 Thermal Efficiency	%	46.0	48.0	46.3	46.5	48.1	48.6	48.3
总效率 Total Efficiency	%	88.0	86.5	87.3	86.5	86.1	84.7	84.1

· LY2616-60Hz技术参数 60 Hz Technical Parameters

$\text{No}_x \leq 500 \text{mg/Nm}^3$ 2)

应用领域 Application area	单位	天然气应用 60Hz Natural gas application	石油伴生气应用 60Hz Associated petroleum gas application	高浓瓦斯应用 60Hz High-concentration CBM application	沼气应用 60Hz Biogas application	工业煤气应用 60Hz Industrial Gas Application	高炉煤气应用 60Hz Blast Furnace Gas Application	煤制气应用 60Hz Coal-to-gas Application
发电机组型号 Genset Model		LY2616FF-T	LY2616FF-T1	LY2616FF-W	LY2616FF-Z	LY2616FF-M	LY2616FF-G	LY2616FF-M1
3) 发电功率 ±10% Electrical Power	kW	3700	2790	3500	3250	2600	2500	2600
4) 燃料消耗 Fuel Consumption	kW	8916	7304	8600	8186	6897	6983	7303
发电效率 Electrical Efficiency	%	41.5	38.2	40.7	39.7	37.7	35.8	35.6
热效率 Thermal Efficiency	%	45.8	47.7	46.1	46.3	47.9	48.3	48.1
总效率 Total Efficiency	%	87.3	85.9	86.8	86.0	85.6	84.1	83.7

2、气质、气压、热值以及运行环境、人员操作水准等因素将影响机组的最终输出。

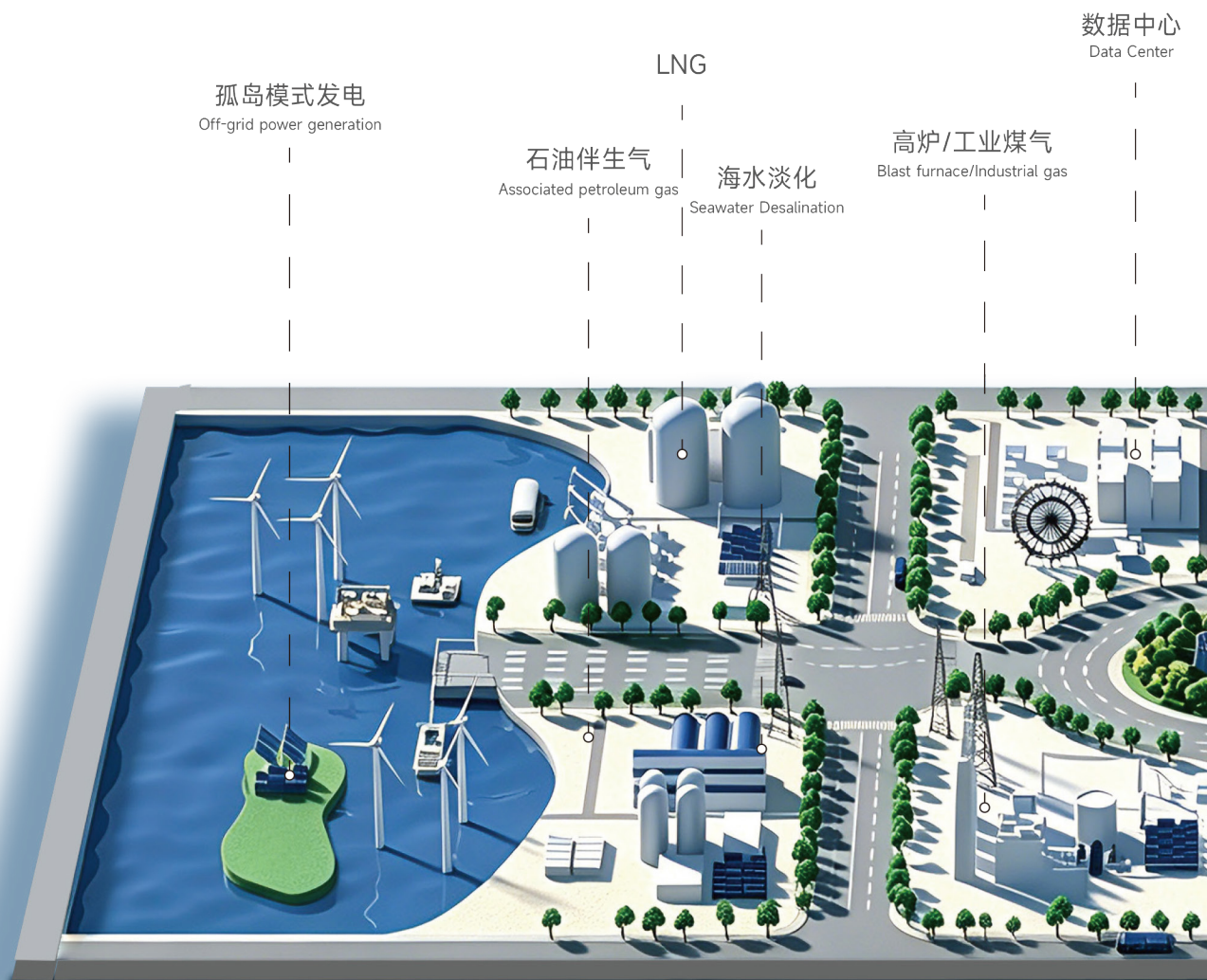
Note: Factors such as gas quality, air pressure, calorific value, operating environment, and personnel operation level will affect the final output of the unit.

- 污水处理沼气 (65%CH₄ / 35%CO₂) Sewage Treatment Biogas (65%CH₄ / 35%CO₂)
- 生物质沼气 (60%CH₄ / 32%CO₂, 其余为N₂) Biomass gas (60%CH₄ / 32%CO₂, the rest are N₂)
- 垃圾填埋沼气 (50%CH₄ / 27%CO₂, 其余为N₂) Landfill gas (50%CH₄ / 27%CO₂, the rest are N₂)
- 工业煤气 (75%CO, 6%H₂, 3%CH₄, 9%CO₂, 其余N₂) Industrial gas (75%CO, 6%H₂, 3%CH₄, 9%CO₂, the rest are N₂)

广泛的应用领域 Wide range of applications

“力宇动力”自主研发的LY260系列燃气发电机组产品，以节能、高效、稳定及卓越的燃料适应性为特点，单机功率覆盖**2500kW-4000kW**功率段，全面适用于天然气、石油伴生气、生物质气、沼气、瓦斯气、工业煤气、高炉煤气、转炉煤气、煤制气等多种燃气类型，帮助客户实现业务增长和成功，持续引领行业技术革新与市场拓展，助力全球能源转型。

Liyu Power's independently developed LY260 series gas generator sets feature energy efficiency, high performance, stability, and exceptional fuel adaptability. With single-unit power ranging from 2500kW to 4000kW, these units are fully compatible with diverse gas types, including natural gas, associated petroleum gas, biomass gas, biogas, coalbed methane, industrial gas, blast furnace gas, converter gas, and coal-to-gas. They empower customers to achieve business growth and success, continuously driving technological innovation and market expansion within the industry while supporting the global energy transition.



城市综合体 (CCHP)

Urban Complex (CCHP)

生物质气
Biogas

微电网
Microgrid

机场 (CCHP)
Airport (CCHP)

风能
Wind energy

污水处理沼气
Wastewater Treatment and Biogas

温室 (CCHP)
Greenhouse (CCHP)

光伏
Photovoltaic

煤层瓦斯气
coalbed methane



合作模式 Cooperation Model

我们致力于与客户构建协同共生、价值共创的战略合作伙伴关系，提供多元化的业务合作模式。

We are committed to building synergistic and mutually beneficial strategic partnerships with our clients, creating shared value through diverse business collaboration models. These primarily include:

设备销售服务



设备销售服务 Equipment Sales and Service

力宇提供量身定制的发电机组设备，帮助客户完成电站建设及调试验收并交付使用，客户按照合同约定支付设备款项。

LiYu provides customized generator sets, and assist clients in completing power plant construction, commissioning, acceptance, and delivery for operational use. Clients shall pay for the equipment as stipulated in the contract.

合同能源管理



合同能源管理 Energy Performance Contracting

由力宇与客户根据约定的投资界面共同投资节能降碳型发电项目，按照《合同能源管理合同》模式展开合作，并根据当地电价分享节能收益。

LiYu and the client jointly invest in energy-saving and carbon-reduction power generation projects based on the agreed investment interface, collaborating under the Energy Performance Contracting (EPC) model and sharing energy-saving benefits according to local electricity rates.

代理渠道合作



代理渠道合作 Agency Channel Partnership

我们建立完善的代理分销体系，实现市场全覆盖。通过严格的代理商、OEM商综合评估机制，遴选优质合作伙伴，授予力宇代理经销资质，纳入力宇品牌代理渠道管理体系。

We have established a comprehensive agency distribution system to achieve full market coverage. Through a rigorous evaluation mechanism for agents and OEM partners, we select high-quality collaborators, grant them LiYu agency distribution qualifications, and integrate them into the LiYu brand agency channel management system.

EPC总包服务



EPC总包服务 EPC Turnkey Services

力宇提供从项目设计、设备采购到工程施工的一站式EPC总承包服务，确保项目高质量交付。我们的专业团队将为客户提供全程项目管理服务，确保项目按期、保质、保量完成。

LiYu provides one-stop EPC turnkey contracting services from project design and equipment procurement to construction, ensuring high-quality project delivery. Our professional team delivers comprehensive project management services to guarantee timely completion with guaranteed quality and quantity.

IPP模式



IPP模式 IPP Model

独立发电厂商（IPP）模式为企业开发和管理自己的发电资产提供了一条战略途径。力宇提供端到端的支持，包括融资、技术专长和运营管理，以确保项目成功执行。

The Independent Power Producer (IPP) model provides a strategic pathway for enterprises to develop and manage their own power generation assets. LiYu offers end-to-end support encompassing financing, technical expertise, and operational management to ensure successful project execution.



服务目标 Service Objectives

以客户为中心，聚焦客户需求，实现共赢。
Customer-centric, focused on customer needs, achieving mutual success.

服务方式 Service Method

品质保障 价值创造

为客户提供高效、稳定、可靠的能源设备，这是我们最核心的服务价值，与此同时，我们紧紧围绕客户需求，提供超预期的增值服务，为客户创造价值。

Quality Assurance, Value Creation

Providing customers with efficient, stable, and reliable energy equipment is our core service value. At the same time, we focus intently on customer needs, delivering value-added services that exceed expectations to create value for our clients.

服务范畴 Scope of Services

我们的能源解决方案从项目规划、项目设计、项目建设、项目运营为客户提供一体化、全方位的优质服务。

Our energy solutions provide clients with integrated, comprehensive premium services spanning project planning, design, construction, and operation.

服务内容 Service Offerings

以价值服务为导向，优化供应链，创新研发，全专业协同共生，一站式响应，满足客户项目可研、设计选型、投资建设、运维服务全产业链、全生命周期的能源应用服务。

Guided by value-driven services, we optimize supply chains, drive innovation in R&D, foster cross-disciplinary synergy, and deliver one-stop solutions to meet clients' comprehensive energy application needs across the entire project lifecycle—from feasibility studies and design selection to investment construction and operations & maintenance services.

服务理念 Service Philosophy

全面服务 服务全面

服务不止 不只服务

Comprehensive Service
Service Beyond Expectations



我们竭诚为您服务 We're at your service.

30多年来，我们始终致力于发电技术及服务的创新，凭借高效、低排放、安全且具有成本效益的能源解决方案让客户实现能源独立的同时创造更多的经济、环境、社会效益，逐步建立全球化服务网络、全生命周期的售后服务体系，这使我们成为更可信赖的合作伙伴。

For more than 30 years, we have been committed to the innovation of power generation technology and services, with high-efficiency, low-emission, safe and cost-effective energy solutions to enable customers to achieve energy independence while creating more economic, environmental and social benefits, the gradual establishment of a global service network, the whole life cycle of the after-sales service system, will make us become a more reliable partner



7×24×365在线



销售咨询：24小时解决



现场服务：
24小时完成一般故障
72小时完成重大故障



产品、服务、备件类咨询立即解决



投诉建议：24小时内响应



一体化服务模式 为您提供系统化能源解决方案

Integrated Service Model Providing you with systematic energy solutions

力宇营销体系以技术为先导，建立集国内外优势科技资源、深谙客户需求的专业技术团队，全面覆盖售前、售中和售后各个项目阶段；从前期的可行性研究，到方案设计、设备采购、施工、合同验收至投入使用，全方位一站式综合服务，完全满足客户所有需求。

Liyu marketing system takes technology as the forerunner, and establishes a professional technical team with advantageous scientific and technological resources both at home and abroad, and a deep understanding of customers' needs, which comprehensively covers all project stages before, during and after sales.
Comprehensive coverage of pre-sales, sales and after-sales of various project phases;
From pre-feasibility study, to program design, equipment procurement, construction, contract acceptance to put into use.
All-round one-stop comprehensive service, fully meet all the needs of customers.



Shaping the Future of Green Energy
力宇动力 蕴绿非凡



30+年能源利用经验沉淀 30 years of experience in energy utilization

力宇集团创立于1994年，总部位于中国·湖南·长沙，总产业面积35万平方米，是一家全球化的燃气发动机制造商及能源解决方案提供商。力宇集团始终致力于推动燃气能源技术的创新与发展，以技术领先、产品可靠、服务专业为核心基石，打造以“力宇动力”燃气发动机（单机功率覆盖900kW-4000kW功率段）产品品牌为核心，构建“力宇环能”能源系统解决方案和“力宇节能”能源数字化管理在内的三大能源体系，形成集项目投资、研发制造、设计可研、设备供应、电站建设、调试验收与运营管理为一体的全球化能源全产业链生态。

“力宇动力”数十年专注于高效、稳定的燃气发动机设备研发与制造，是国家高新技术企业。“力宇动力”自主研发的LY170系列、LY260系列燃气发电机组产品，以节能、高效、稳定及卓越的燃料适应性为特点，单机功率覆盖900kW-4000kW功率段，全面适用于天然气、石油伴生气、生物质气、沼气、高低浓瓦斯气、工业煤气、高炉煤气、转炉煤气、煤制气等多种燃气类型，帮助客户实现业务增长和成功，持续引领行业技术革新与市场拓展，助力全球能源转型。

Founded in 1994, Liyu is a global gas engine manufacturer and energy solution company, headquartered in Changsha, Hunan Province, China, with a total industrial area of 350,000 square meters. The company has developed three key energy systems: Liyu Energy, Liyu Greenenergy, and Liyu Power, creating a comprehensive, integrated ecosystem that spans R&D, manufacturing, power plant design and construction, as well as investment and operational management.

With decades of focus on the R&D and manufacturing of highly efficient and reliable gas engine equipment, Liyu Power is a national high-tech enterprise and a “Specialized, Sophisticated, Unique, and New” enterprise in Hunan Province. Liyu’s self-developed LY170 and LY260 series of gas gensets feature energy-saving, high-efficiency, stable and reliable, and excellent fuel adaptability, and the single-engine power ranges from 900kW to 4000kW, and is widely used in natural gas, biogas, biomass gas, coal bed methane, petroleum gas, industrial gas (smelter tail gas), coal gas and other fields. Liyu Power helps customers achieve business growth and success, continues to lead technological innovation and market expansion in the industry, and contributes to the global energy transition.

我们的使命是驱动零碳美好未来

Our mission is to Striving towards zero carbon future

“驱动”表达以高效、稳定的燃气发动机研发与制造为核心，致力于燃气资源化利用电力系统能源解决方案的提供；而「驱动零碳美好未来」的使命源自力宇对予力青山绿水的初心，呼应了当下多元化、多维度的合作，携手全球客户、合作伙伴共同建立可持续的能源生态系统，实现能源、经济和环境的协同发展，推动能源结构优化为全球可持续发展贡献力量。

“The mission of “Striving Towards Zero Carbon Future” originates from LIYU’s original intention of giving power to green mountains and green water, and echoes the diversified and multi-dimensional cooperation nowadays. We will work together with our global customers and partners to establish a sustainable energy ecosystem, achieve synergistic development of energy, economy and environment, and promote the optimization of energy structure to contribute to global sustainable development.



力宇动力
蕴绿非凡

力宇·中国

公司：湖南省力宇燃气动力有限公司
电话：0731-88730808
官网：www.liyupower.com
地址：湖南省长沙市高新区麓云路289号力宇科技产业园

Headquarters

HUNAN LIYU GAS POWER CO., LTD.
No. 289 Luyun Road, High-tech District, Changsha City, Hunan Province, China
T: +86-0731-8873 0808
E: liyu@liyupower.com

Russia branch

LIYU GAZ POWER RUS
Moscow Region, Krasnogorsk District, Putilkovo Village, Greenwood Terrace, Building 23, Office 361.
T:8-800-201-60-88
E: info@liyupower.ru

Dubai branch

LIYU POWER INTERNATIONAL DMCC
Uptown Tower, Uptown Dubai, Dubai, United Arab Emirates
E: contact@liyupower.com



力宇公众号



力宇抖音号



力宇云游



@LiyuPower



@Liyu-Power